

**Product Description**

- ◆ Random-on Switching
- ◆ Three phase three control or three phase two control options
- ◆ Input Voltage: 10-32VDC
- ◆ Load Current: 25A, 40A
- ◆ Dielectric Strength: 4000Vrms
- ◆ Internal RC/MOV Protection Circuit
- ◆ RoHS Compliant



**Ordering Information**

<b>KMS</b>	<b>380</b>	<b>D</b>	<b>25</b>	<b>P</b>	<b>-24</b>	<b>F</b>
KMS Series <sup>(1)</sup>	Load Voltage 380: 380VAC 480: 480VAC	DC Control	Load Current 25: 25Amp 40: 40Amp	Blank: Common Cathode P: Common Anode	Control Voltage 24: 10-32VDC	Blank: Two-phase Switch F: Three-phase Switch

(1) The part number selection is subject to the following list.

		25A	40A
Common Cathode	Two-phase Switch	KMS380D25-24 KMS480D25-24	KMS380D40-24 KMS480D40-24
	Three-phase Switch	KMS380D25-24F KMS480D25-24F	KMS380D40-24F KMS480D40-24F
Common Anode	Two-phase Switch	KMS380D25P-24 KMS480D25P-24	KMS380D40P-24 KMS480D40P-24
	Three-phase Switch	KMS380D25P-24F KMS480D25P-24F	KMS380D40P-24F KMS480D40P-24F

**General Specifications**

Input Specifications (Ta=25°C)		
Control Voltage Range	10-32VDC	
Must Turn-on Voltage	10VDC	
Must Turn-off Voltage	3VDC	
Maximum Input Current	25mA	
Output Specifications (Ta=25°C)		
Load Voltage Range	380VAC	24-440VAC
	480VAC	24-530VAC
Maximum Transient Overvoltage	380VAC	1200Vpk
	480VAC	1600Vpk
Minimum Load Current	100mA	
Turn-on Time Delay(Typical)	80ms	
Maximum Turn-off Time	10ms	
Maximum Surge Current (@10ms)	25A	250A
	40A	400A
Maximum Off-State Leakage Current@Rated Load Voltage	5mA	
Maximum On-State Voltage Drop@Rated Current	1.5Vrms	
Minimum Off-State dv/dt@Maximum Rated Voltage	500V/μs	

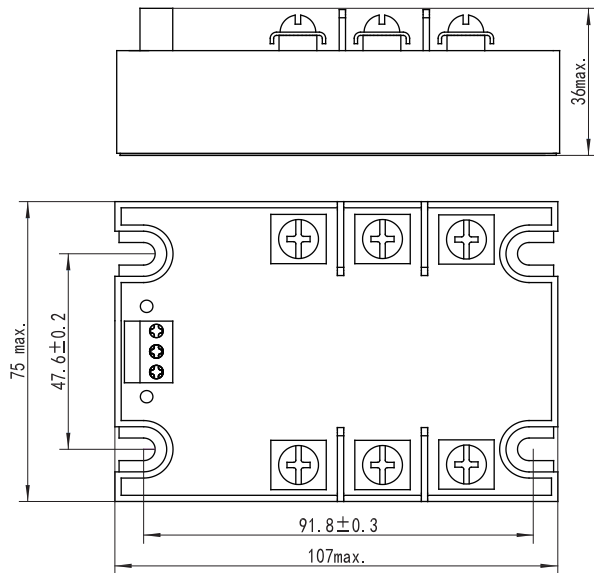
**General Specifications**

General Specifications (Ta=25°C)		
Dielectric Strength (50/60Hz)	Input/Output	4000Vrms
	Input, output/Base	2500Vrms
Minimum Insulation Resistance (@500VDC)		1000MΩ
Pulse Immunity Level	IEC61000-4-4	2kV/100kHz
Surge Immunity Level	IEC61000-4-5	2kV/common mould, 1kV/different mould
Electrostatic Discharge Immunity Level	IEC61000-4-2	4kV/contact discharge, 8kV/air discharge
Ambient Temperature Range		-30°C ~ +80°C
Storage Temperature Range		-30°C ~ +100°C
Weight (Typical)		340g
LED Status Indication		Forward:Green
		Reversion:Red

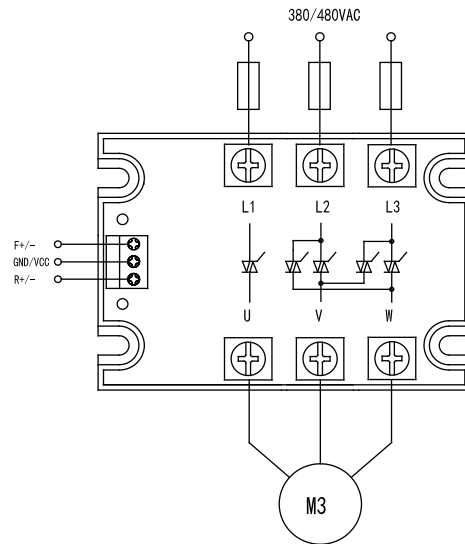
**Applications**

Three phase motor reversing control, such as the valve controls, and etc.

**Outline Dimensions / Wiring Diagram**

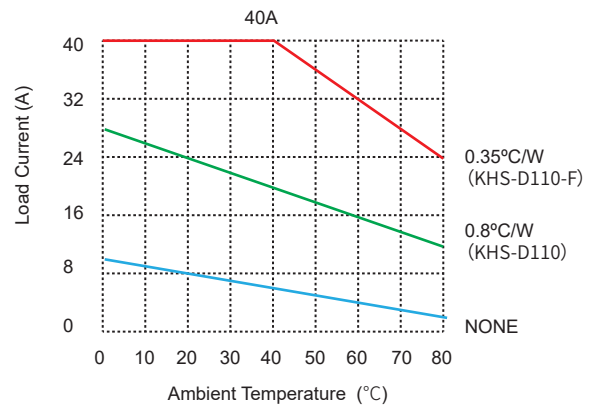
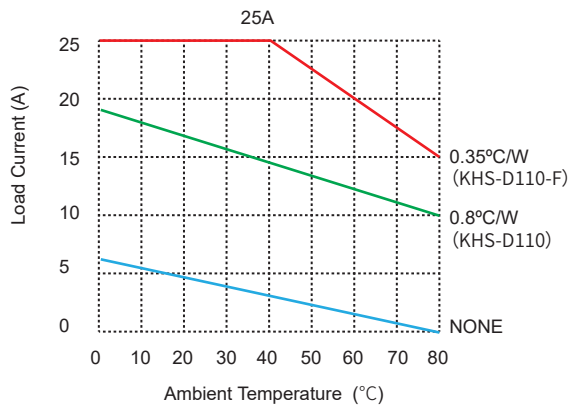


Outline Dimensions



Wiring Diagram

**Thermal Derating Curve**



## General Notes

1. Relay must be mounted to proper sized heat sink based on thermal curves. Thermal grease or a thermal pad must be used between relay.
2. When connecting wiring to SSR please ensure screws are torqued down properly. Recommended torque for input screw is 4.43/0.5 in-lb/N·m, output screw is (18-20)/(2.0-2.2) in-lb/N·m.
3. When the operation temperature is above 25 C , please consider the derating as per the Thermal Derating Curve.
4. Please ensure reliable grounding when using the SSR.
5. Avoid using the product under the condition of strong magnetic field. The external strong magnetic field will affect the product's performance such as switching on and off.

## ! Warnings

1. The product's side panels may be hot, allow the product to cool before touching.
2. Disconnect all power before installing or working with this equipment.
3. Verify all connections and replace all covers before turning on power.